

A6100

Inte grated Mobile Sound System

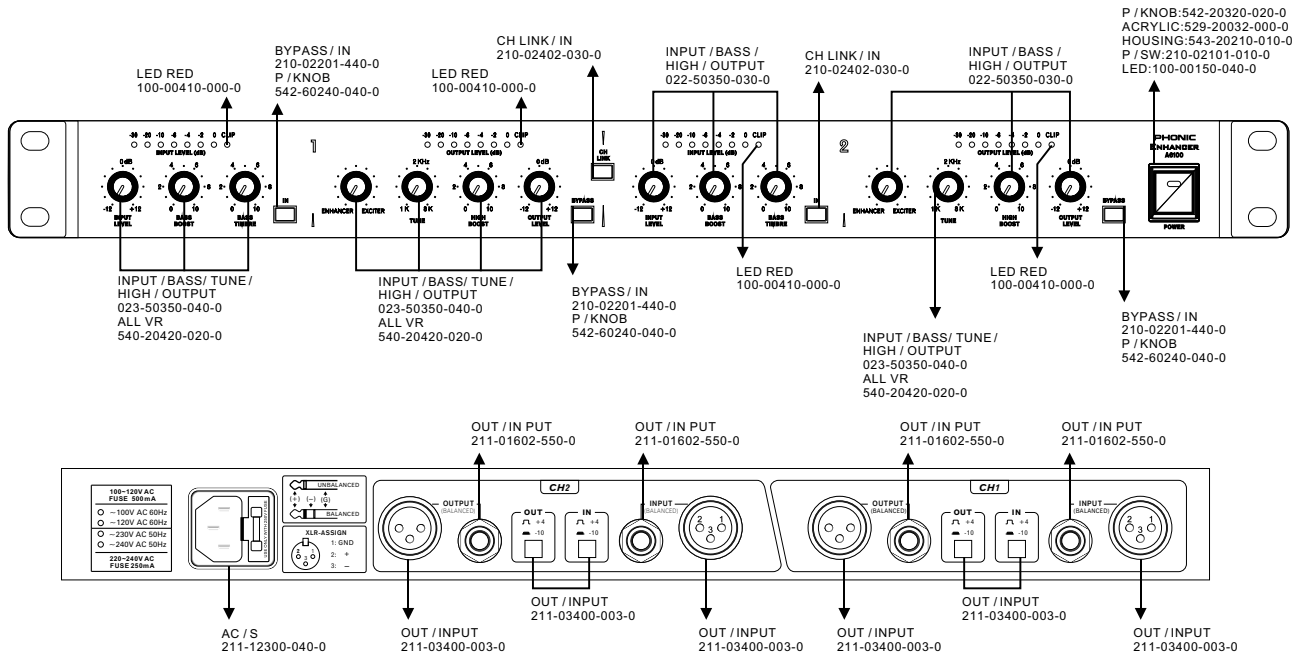
SERVICE MANUAL

A6100 SERVICE MANUAL

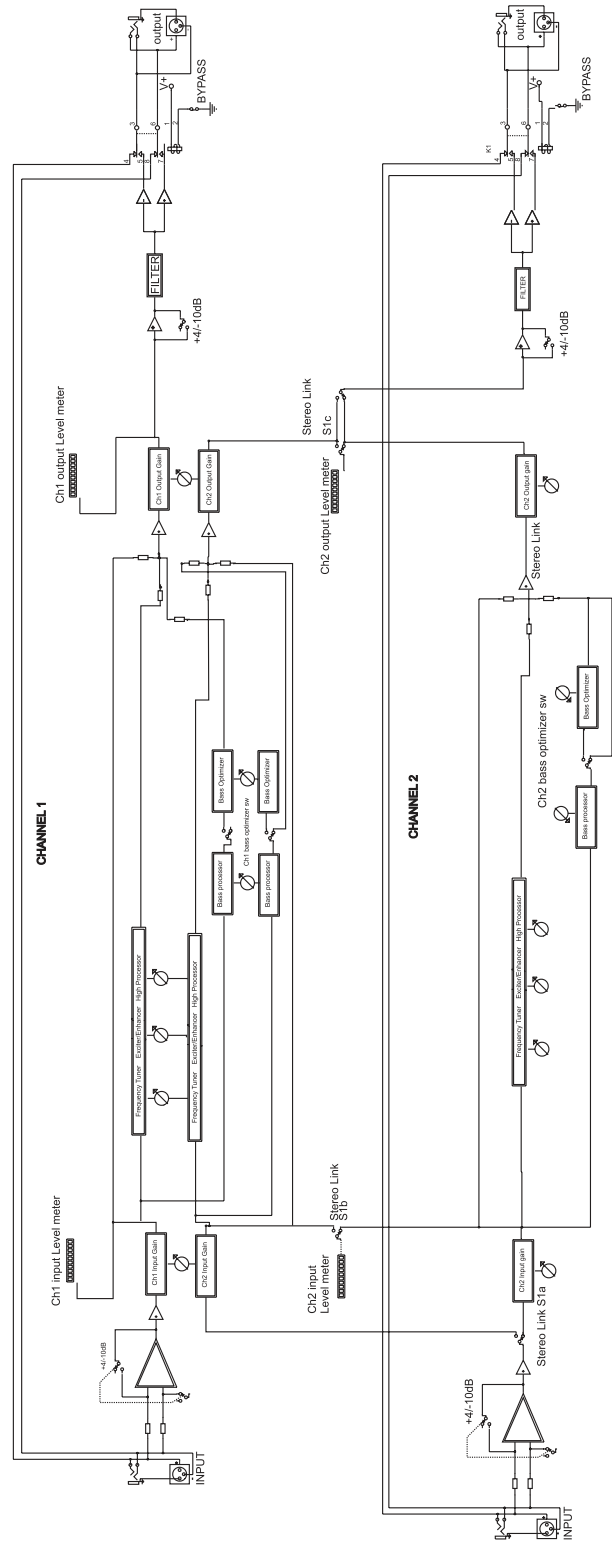
CONTENTS

	PAGE
PANEL LAYOUT	3
BLOCK	4
CH1 INPUT & CONNECTORS	5
CH1_2 OUTPUT.....	6
CH1_2 INPUT	7
POWER SUPPLY	8
CH1 BASS OPTIMIZER	9
CH1 INPUT & BASS PROCESSOR.....	10
CH1 INPUT VUMETER.....	11
CH1 INPUT&CONNECTOR.....	12
CH1 OUTPUT VUMETER.....	13
CH1 TURN FREQ	14
CH1_2 OUTPUT.....	15
CH2 BASS OPTIMIZER.....	16
CH2 INPUT.....	17
CH2 INPUT & BASS PROCESSOR	18
CH2 INPUT VUMETER.....	19
CH2 OUTPUT.....	20
CH2 OUTPUT VUMETER.....	21
CH2 TURN FREQ	22
CONNECTORS	23
POWER SUPPLY	24
 BOM	
MISCELLANEOUS ITEMS	25
IN/OUT PCB-PART LIST	27
BACK PCB-PART LIST	29
POWER REQUIREMENT CLASSIFICATION	31

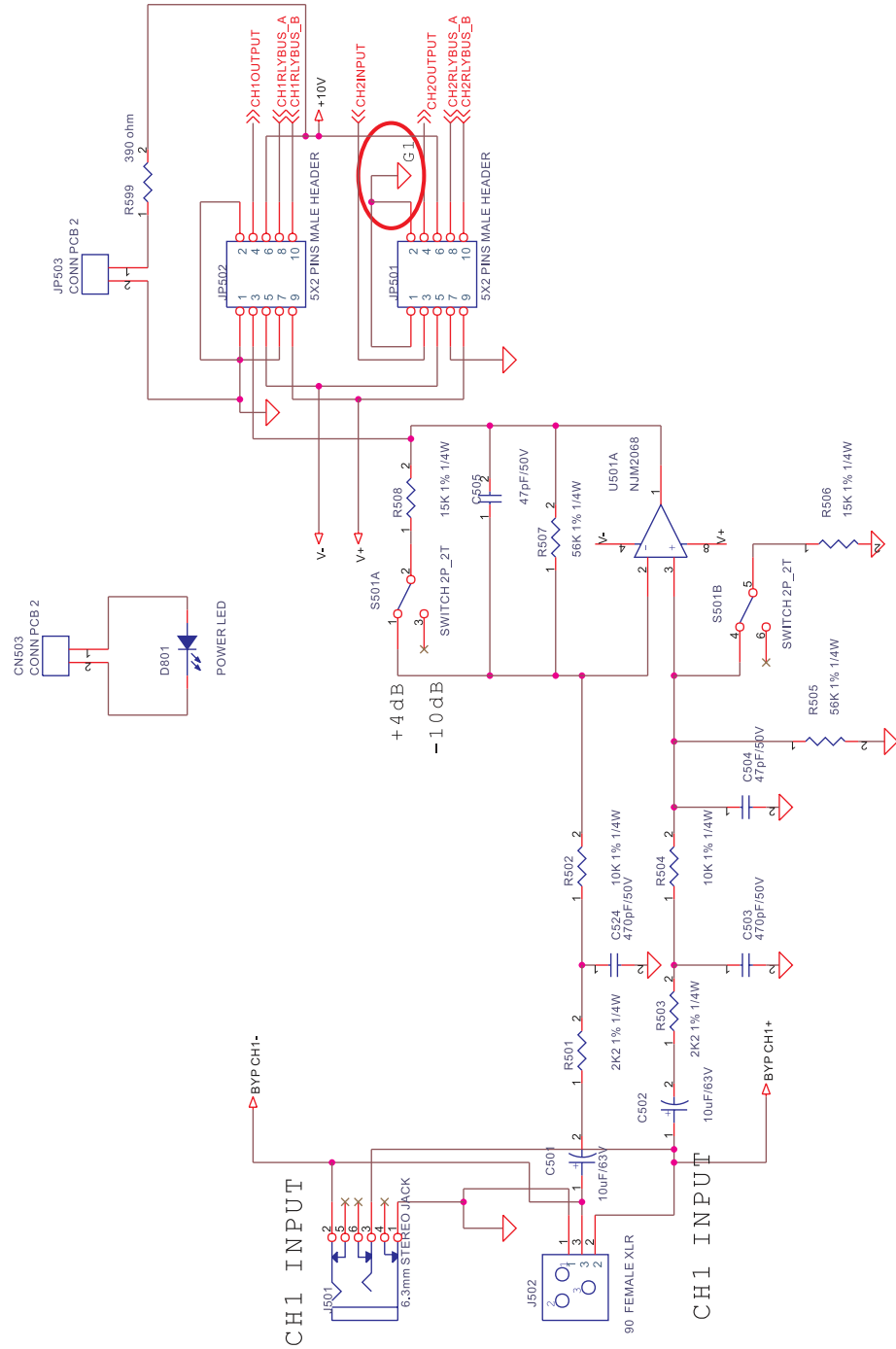
PANEL LAYOUT



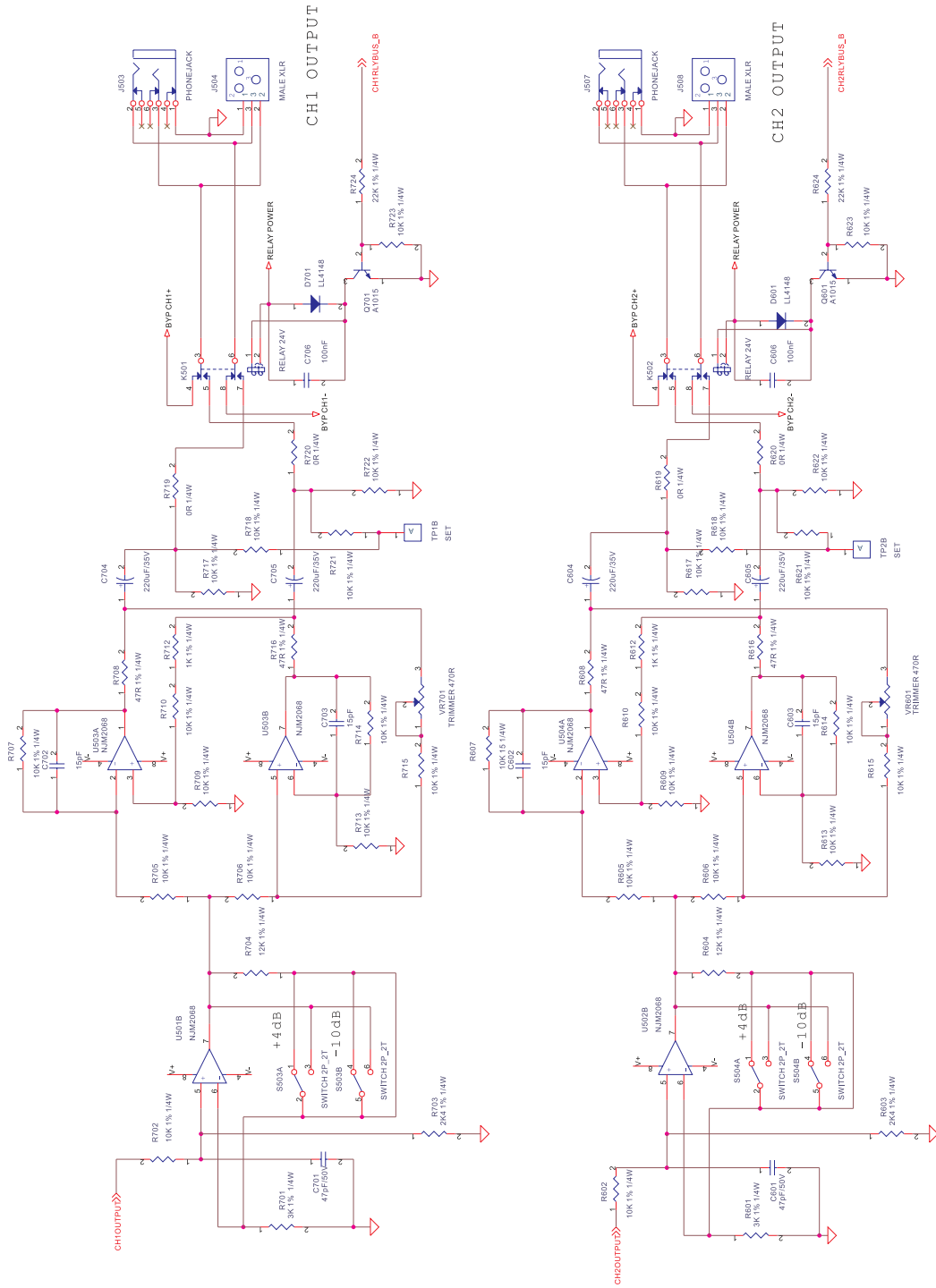
BLOCK



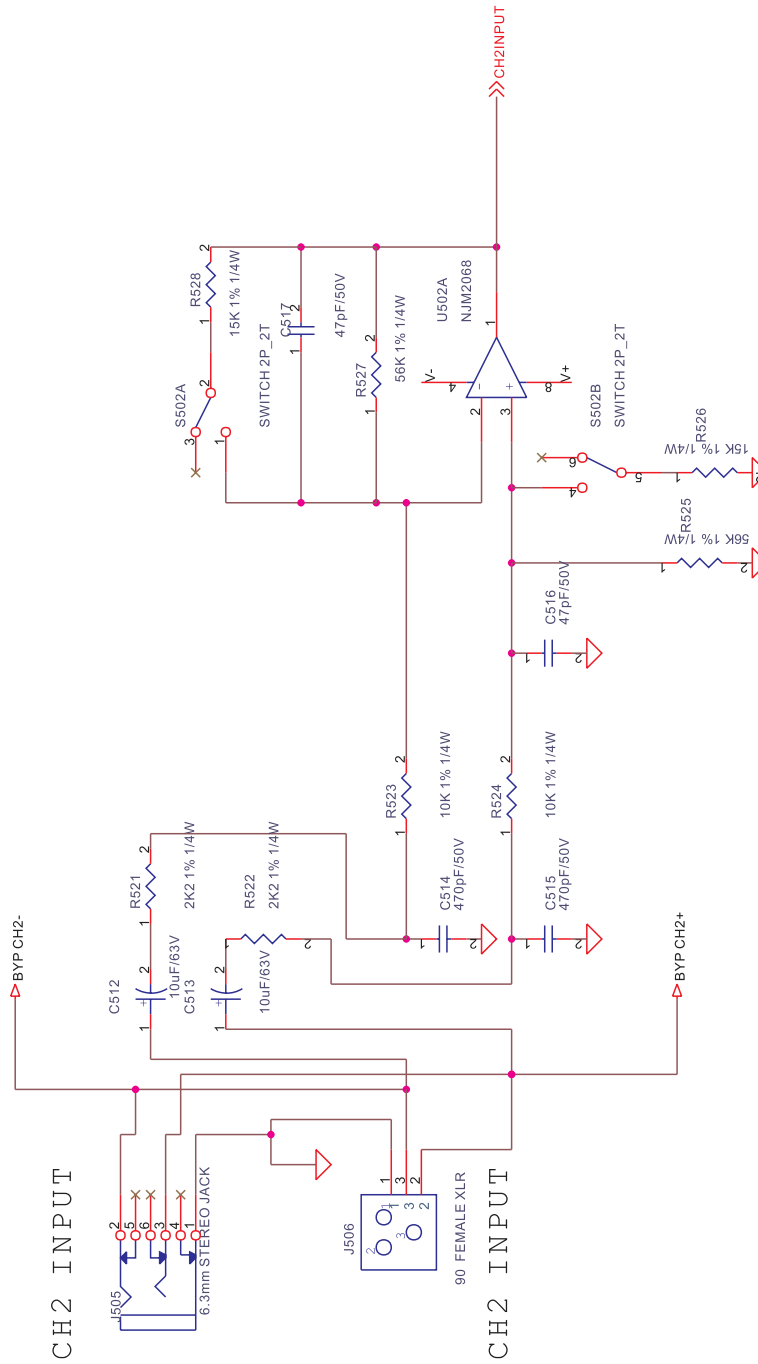
CH1 INPUT & CONNECTORS



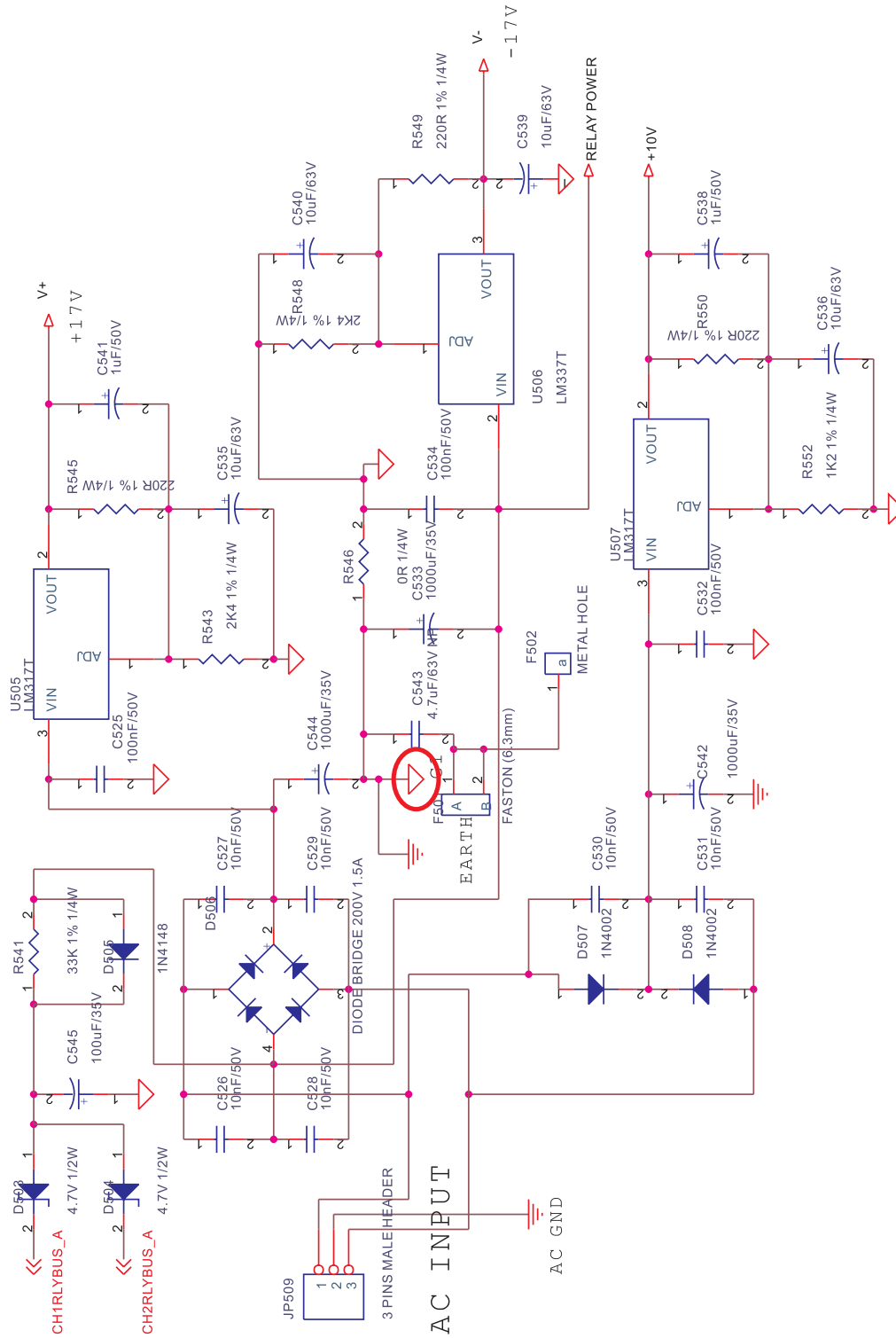
CH1_2 OUTPUT



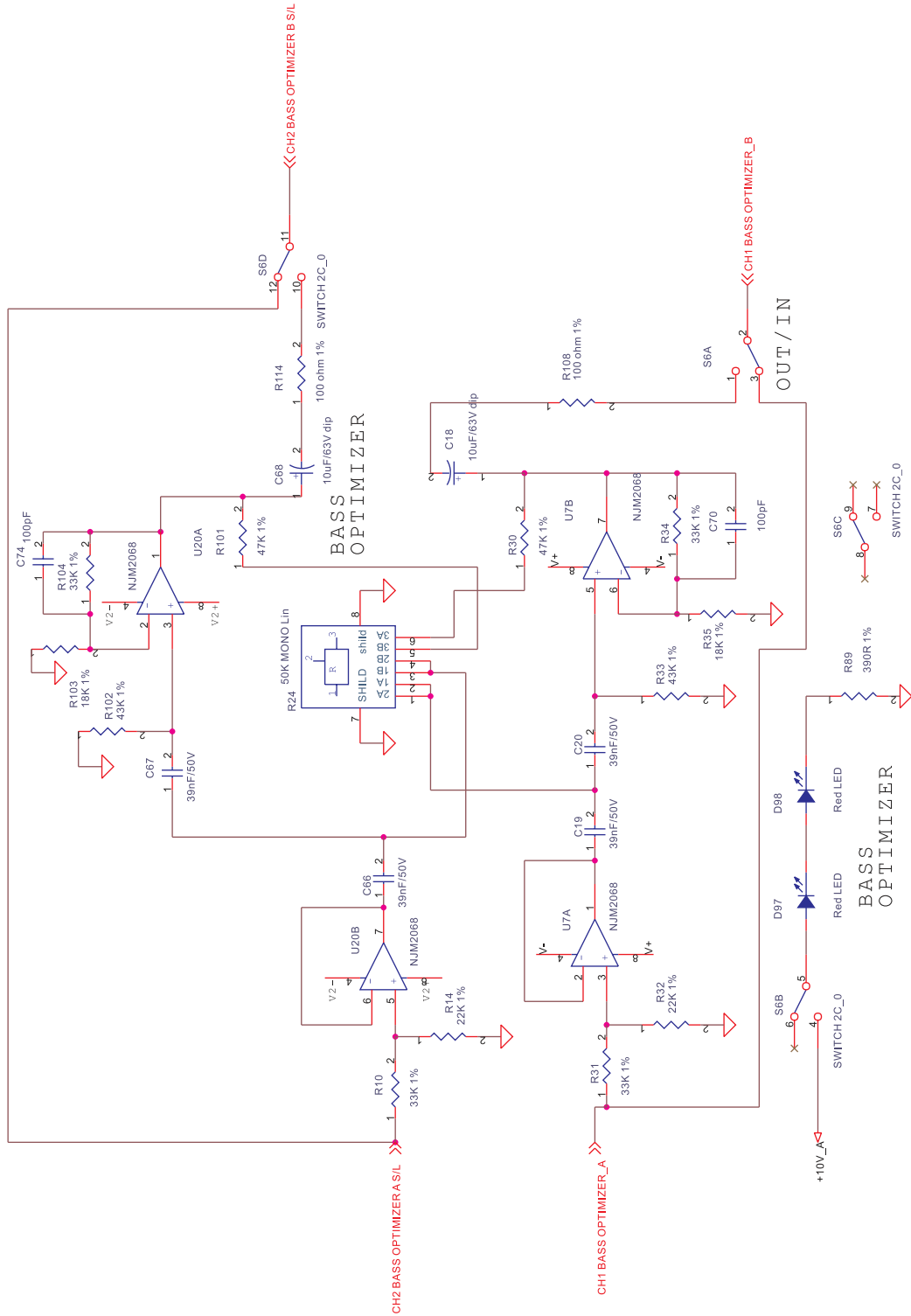
CH1_2 INPUT



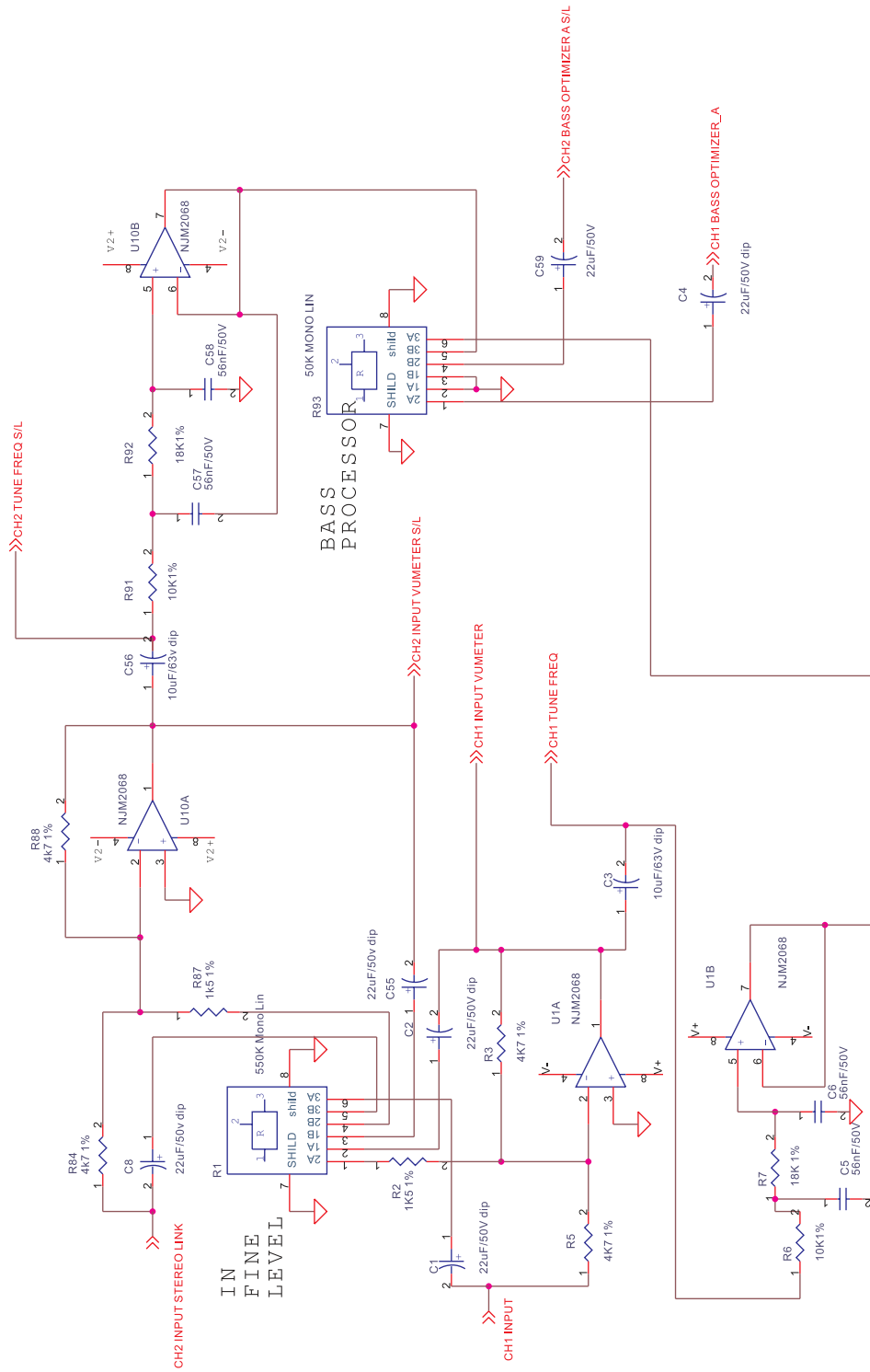
POWER SUPPLY



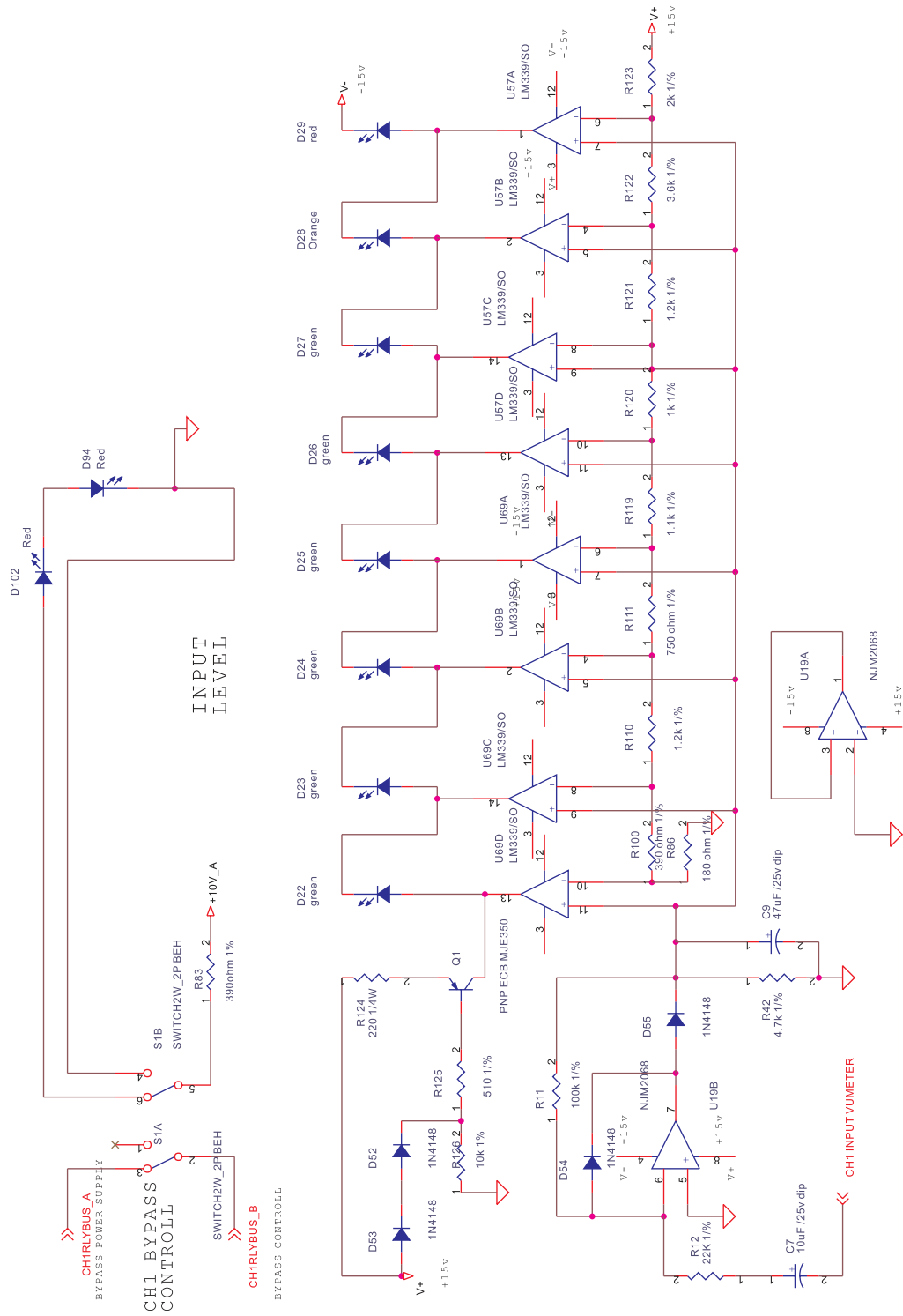
CH1 BASS OPTIMIZER



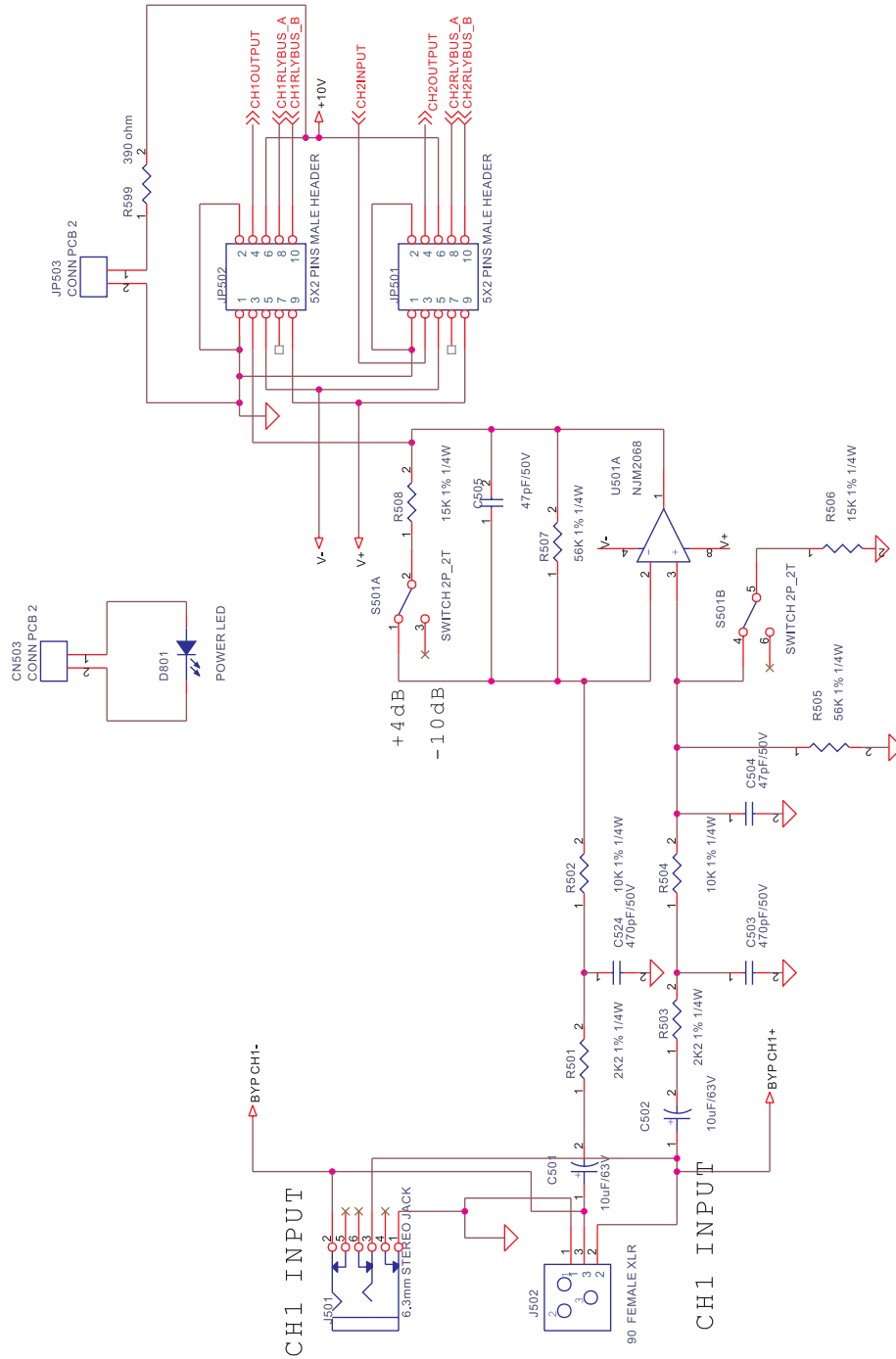
CH1 INPUT & BASS PROCESSOR



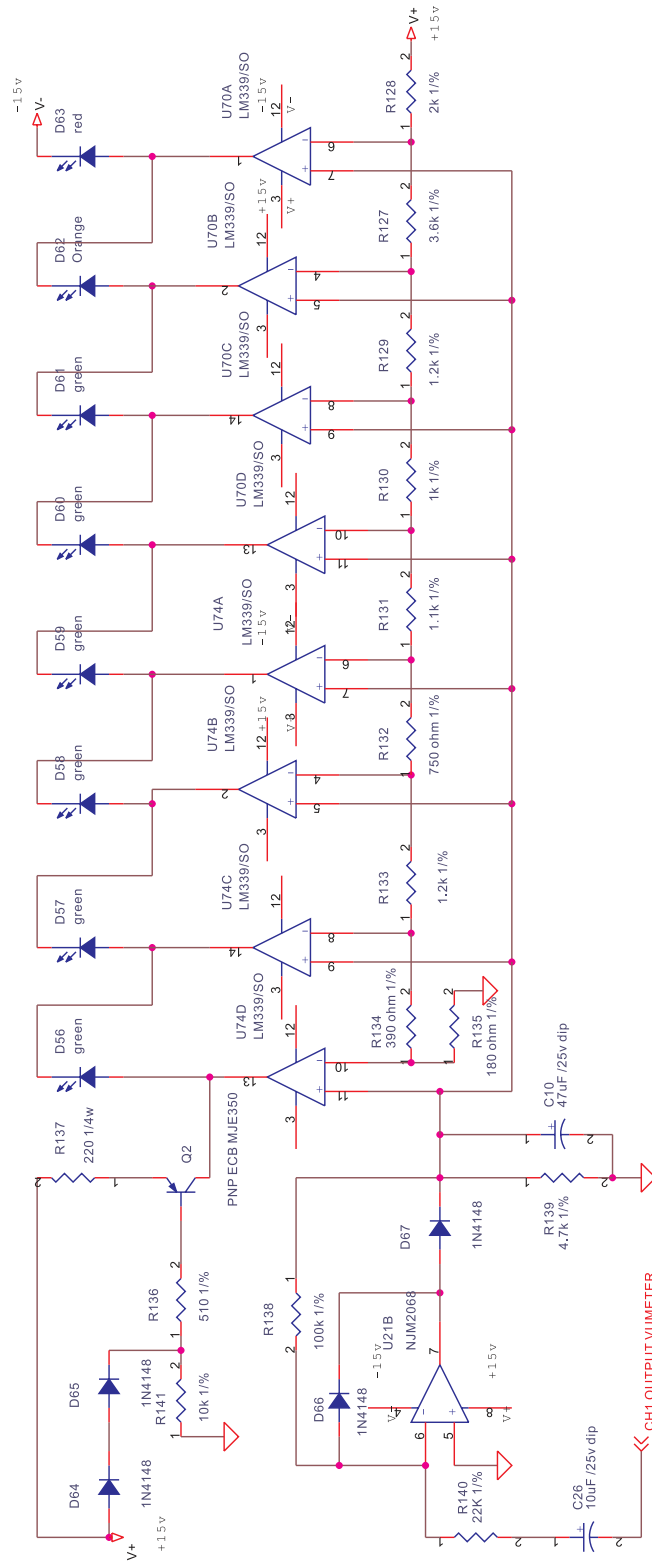
CH1 INPUT VUMETER



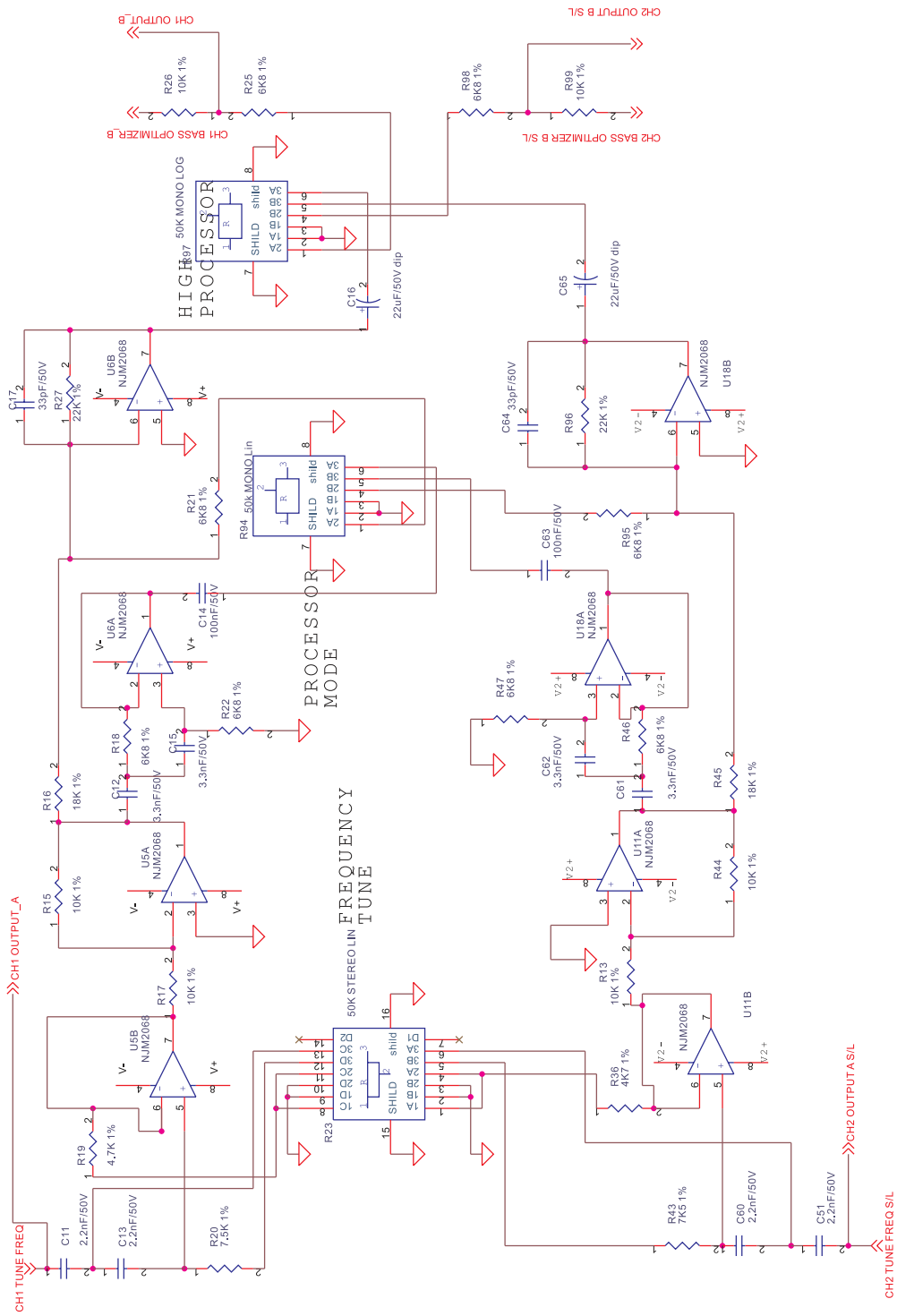
CH1 INPUT&CONNECTOR



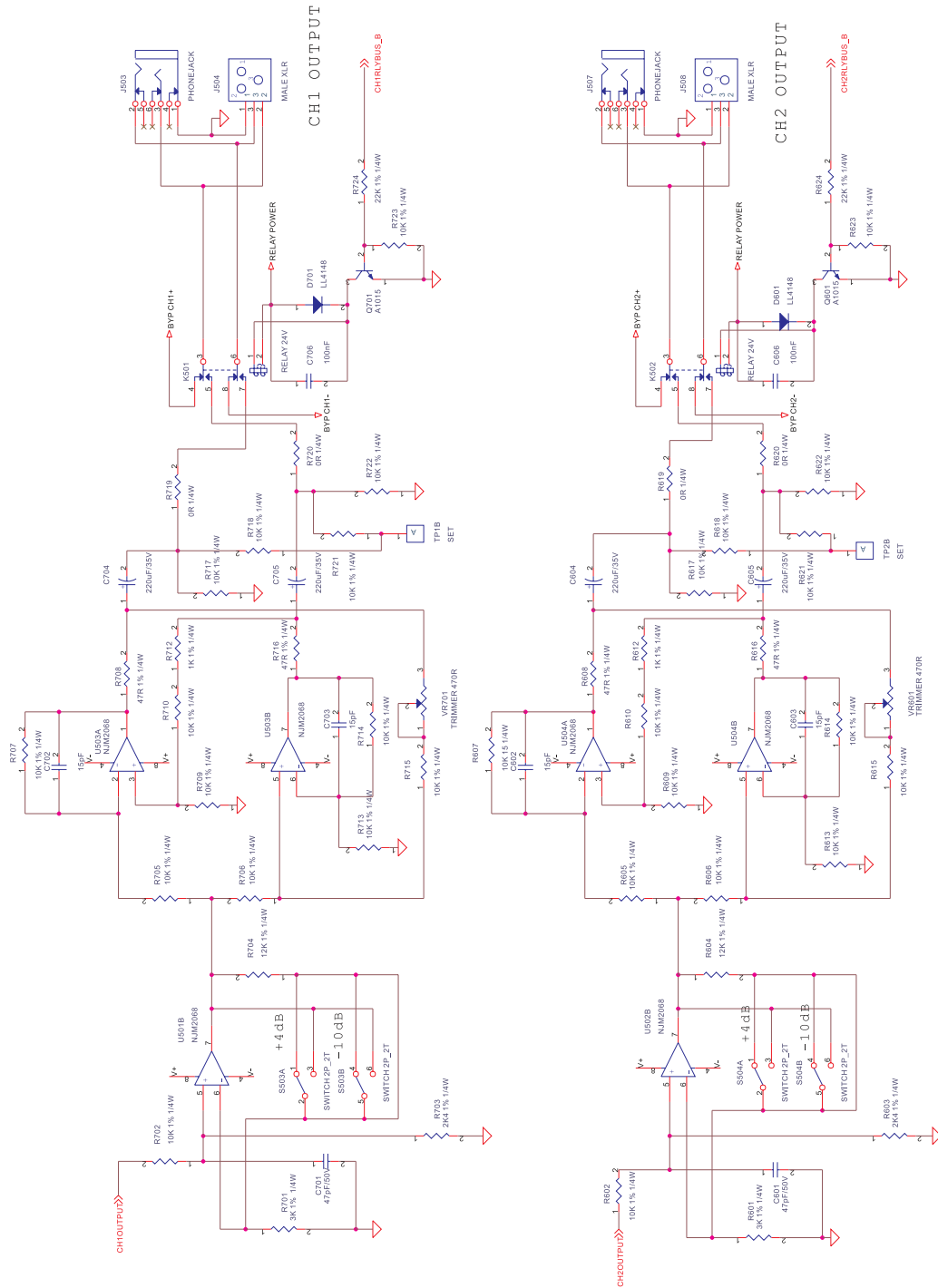
CH1 OUTPUT VUMETER



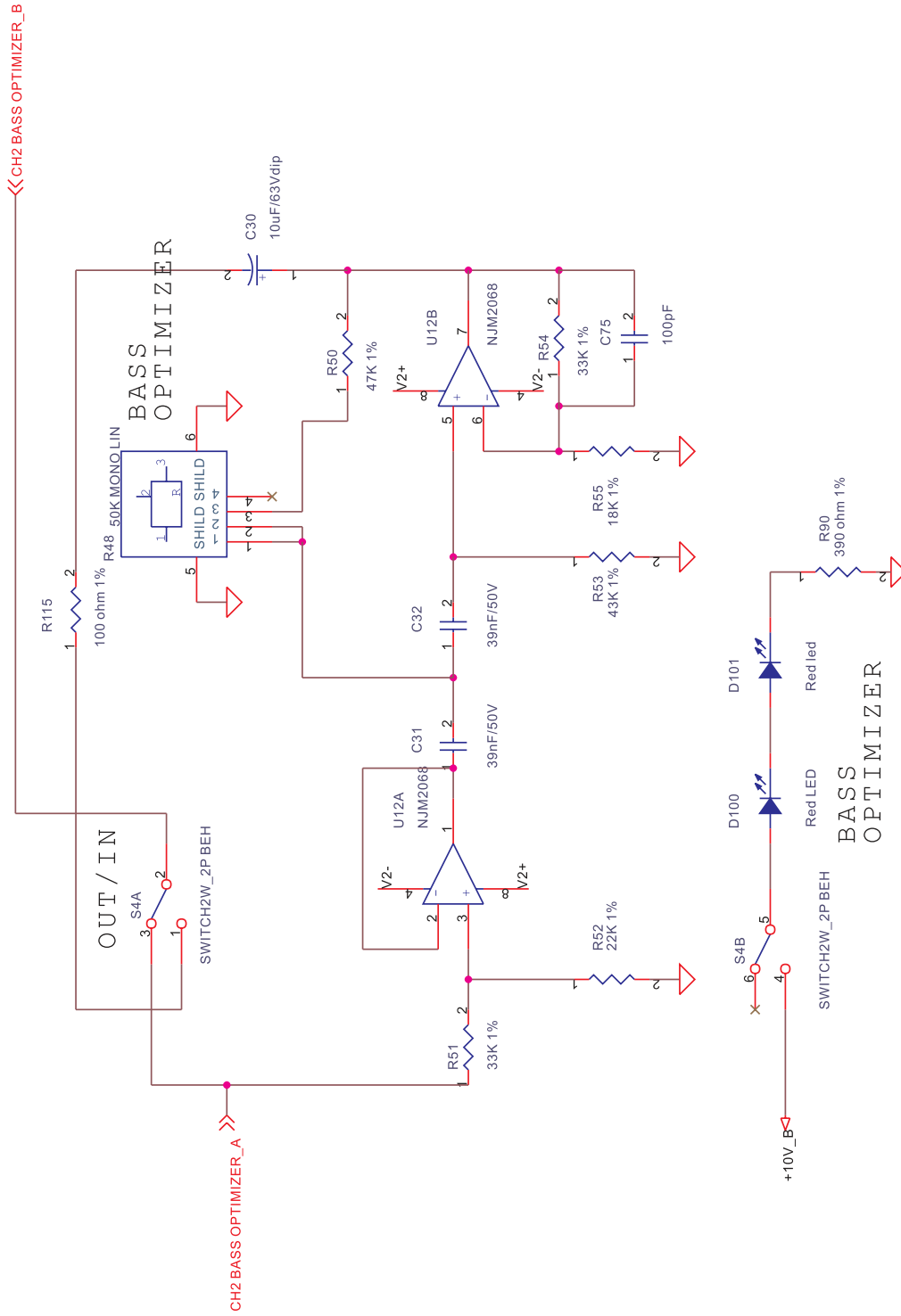
CH1 TURN FREQ



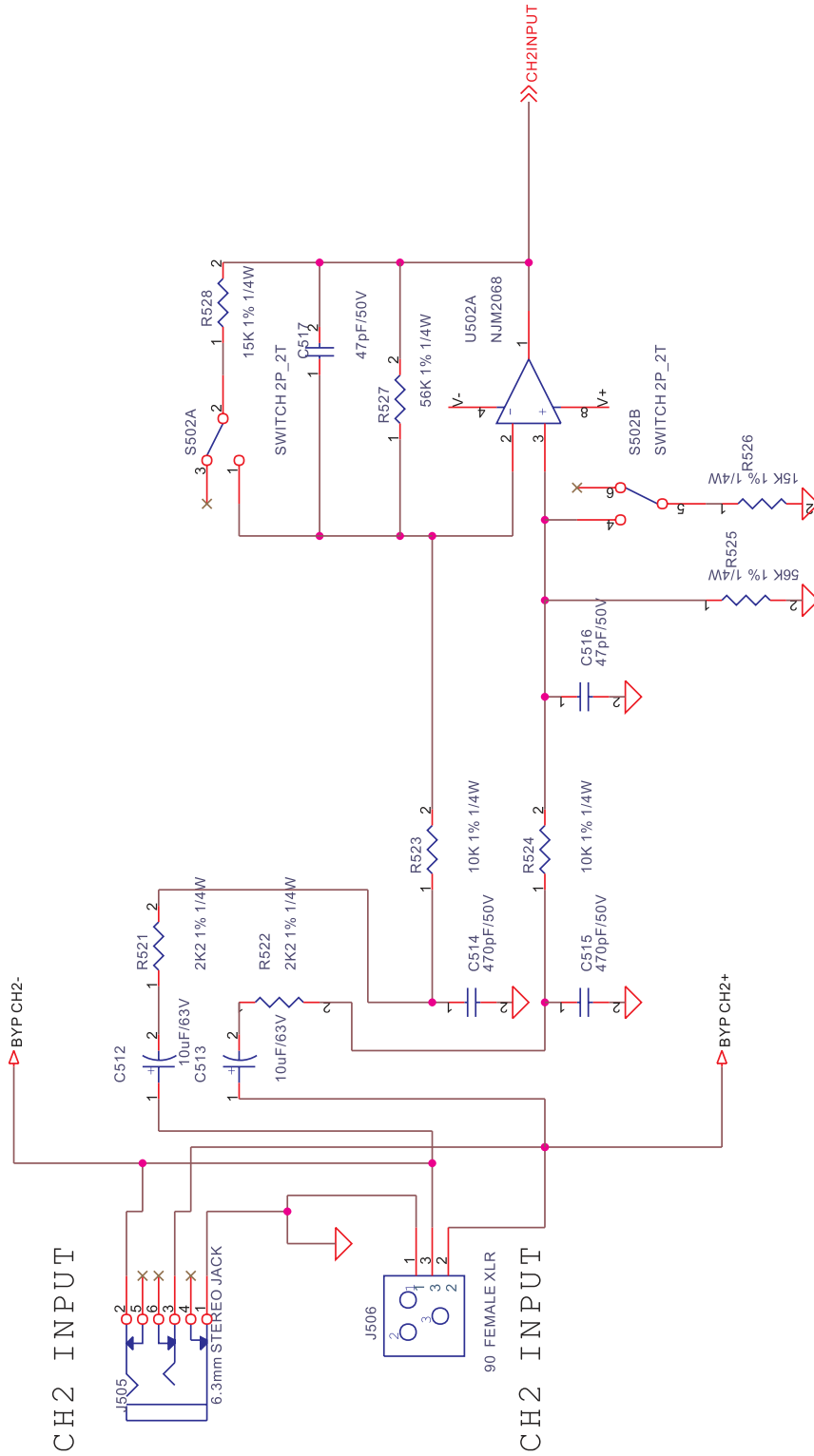
CH1_2 OUTPUT



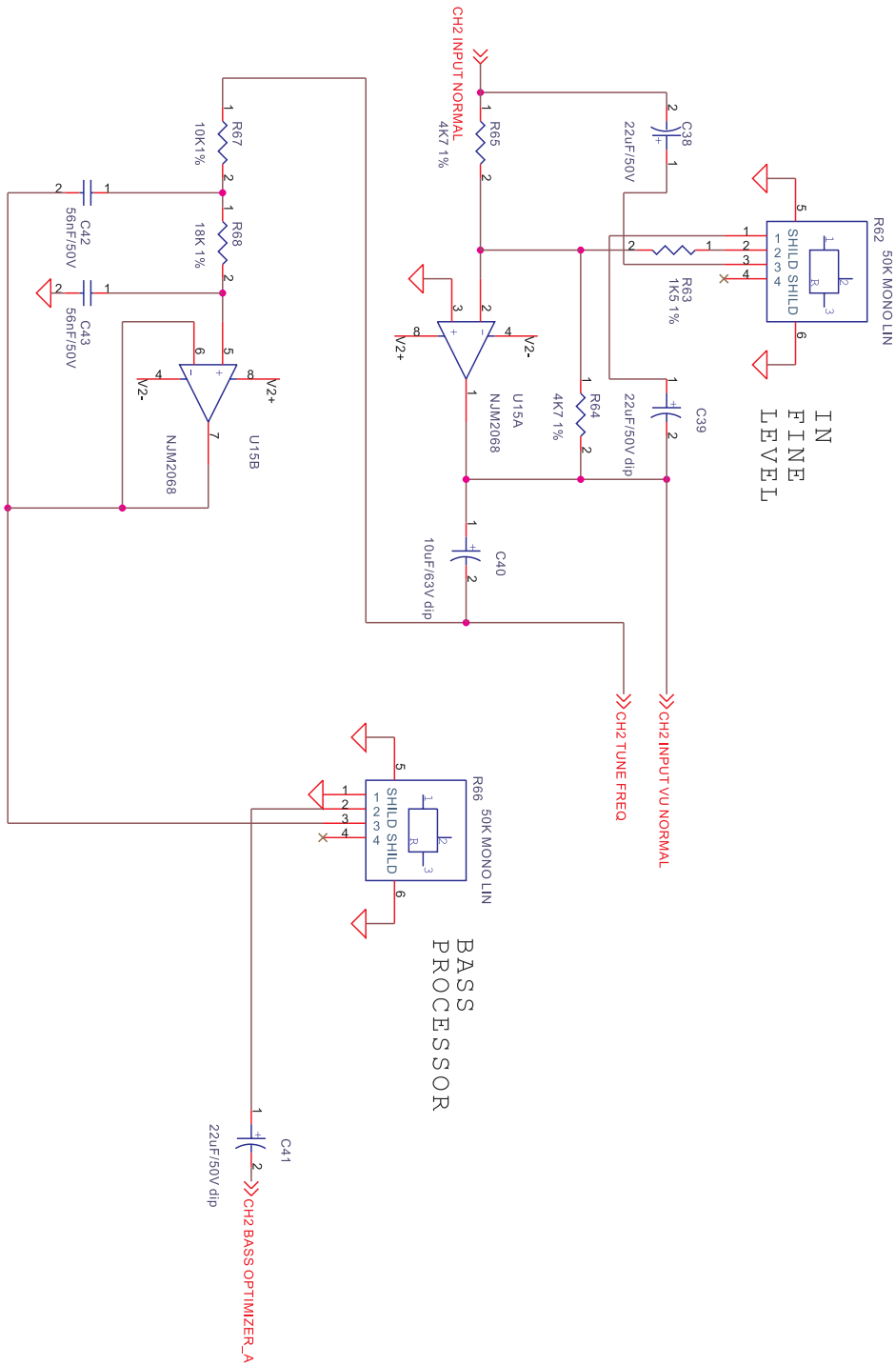
CH2 BASS OPTIMIZER



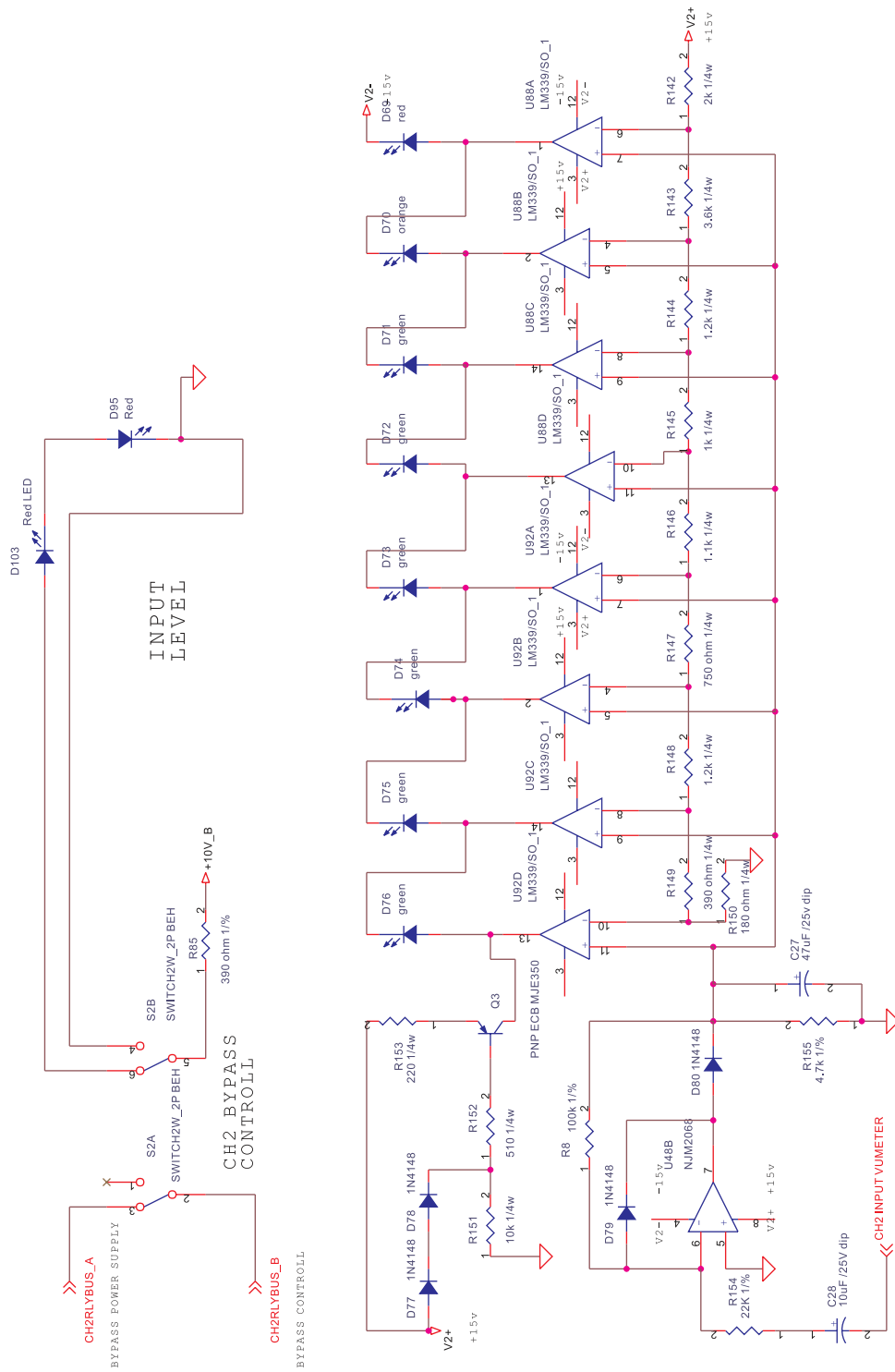
CH2 INPUT



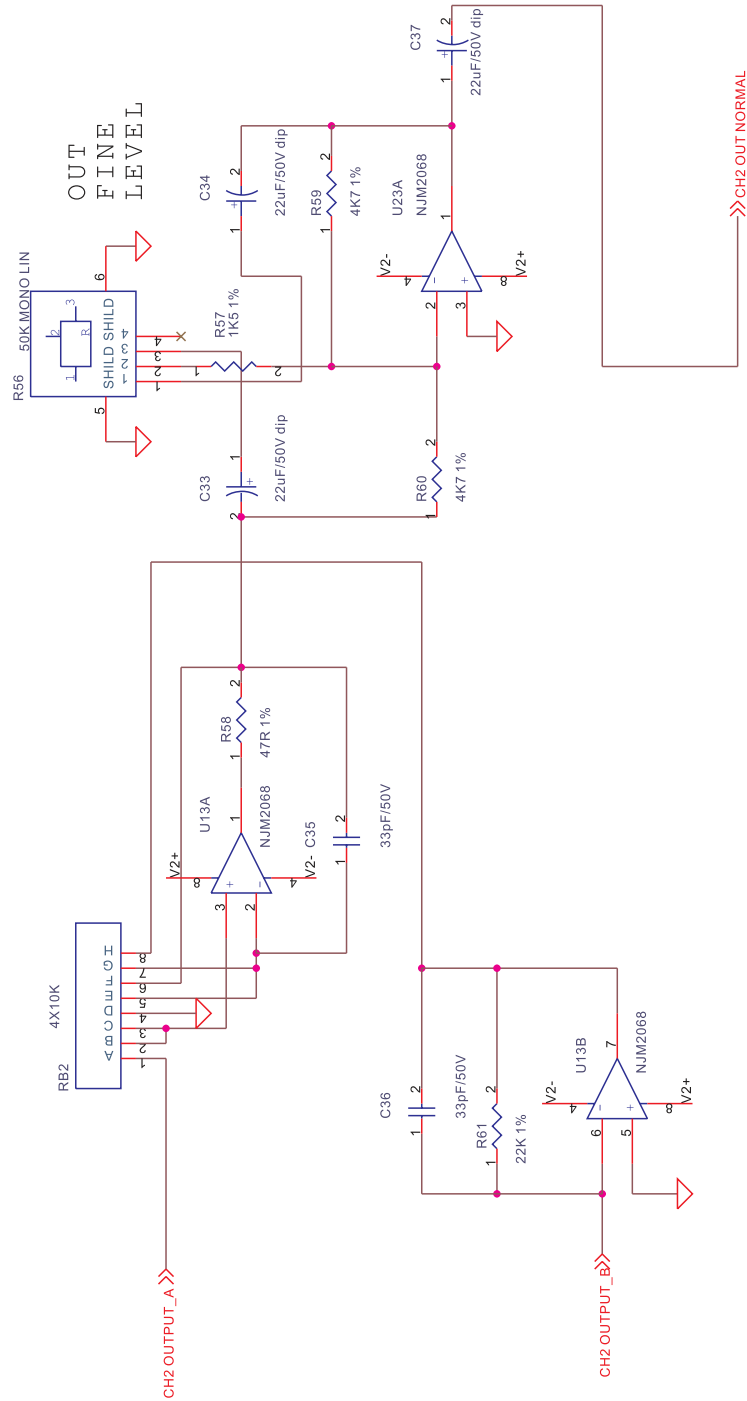
CH2 INPUT & BASS PROCESSOR



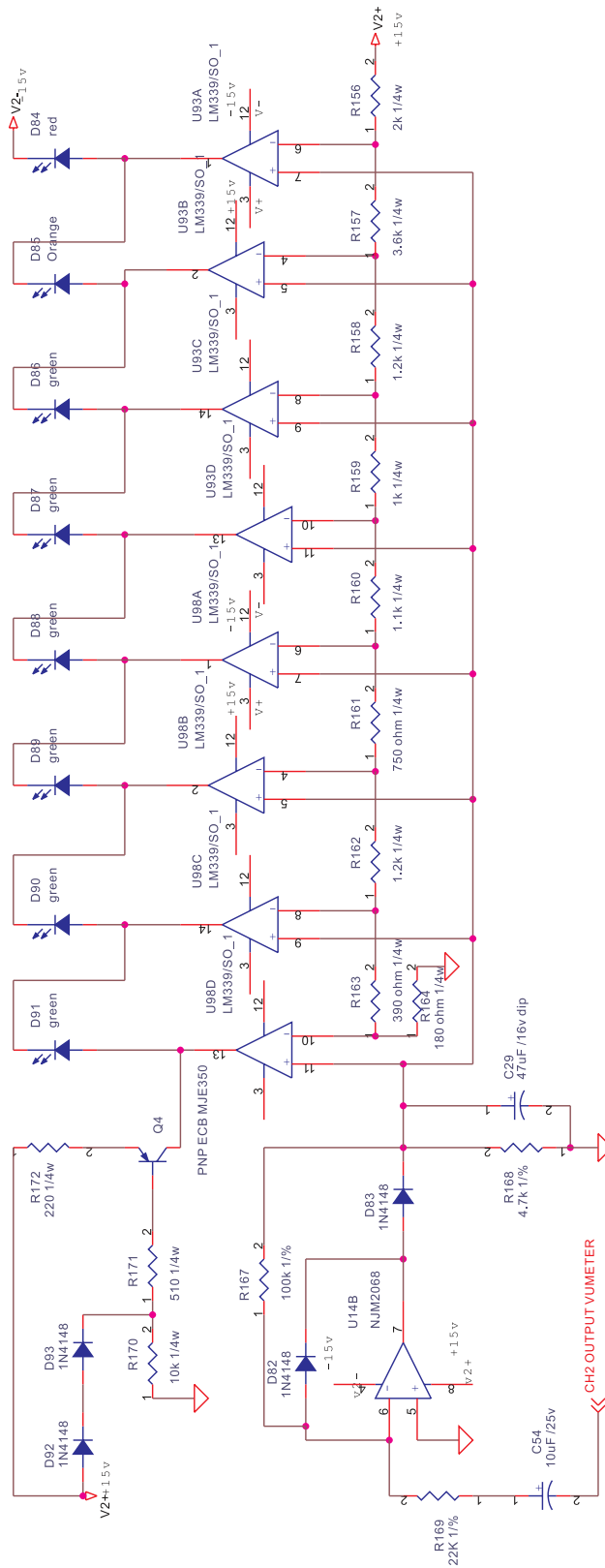
CH2 INPUT VUMETER



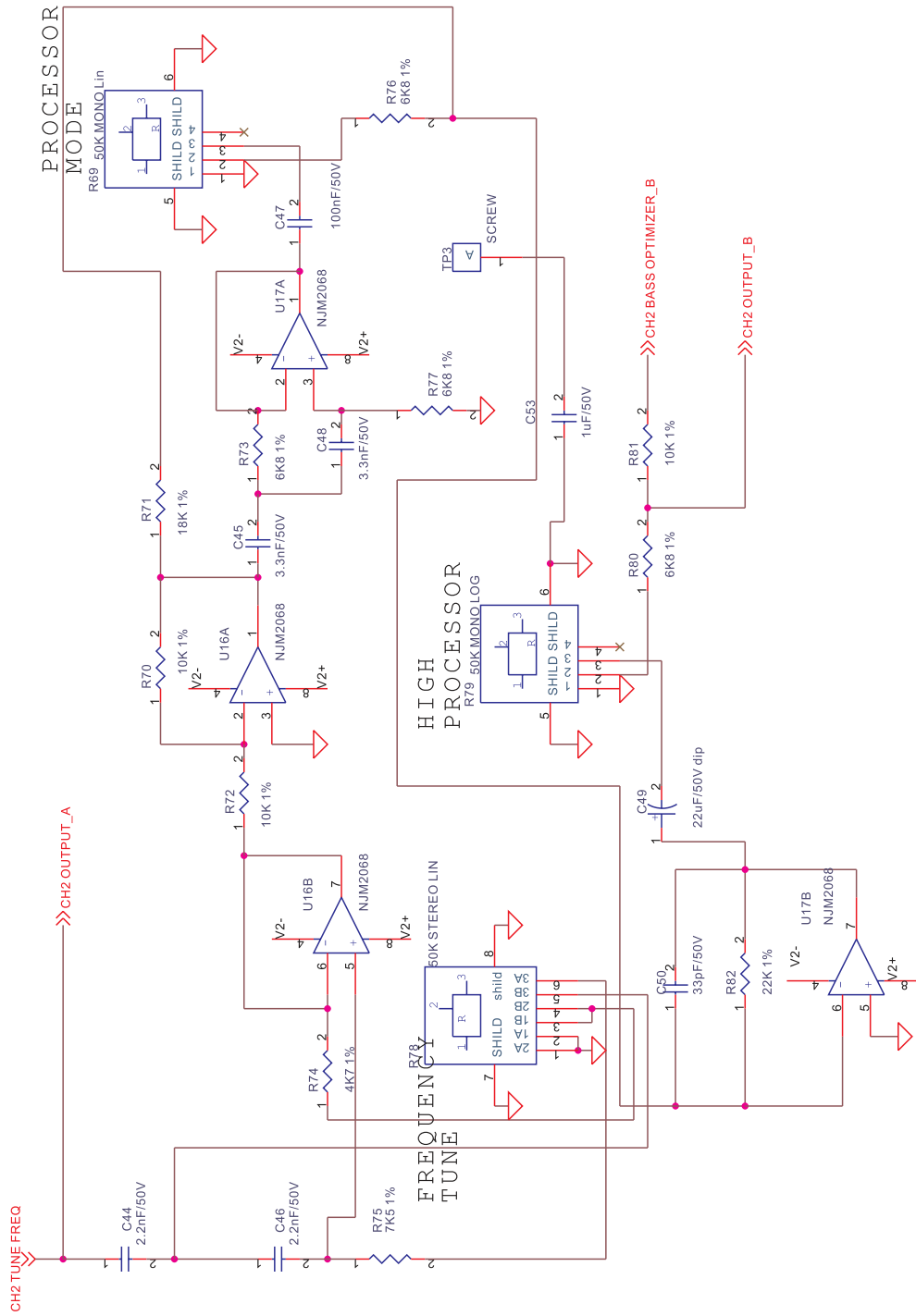
CH2 OUTPUT



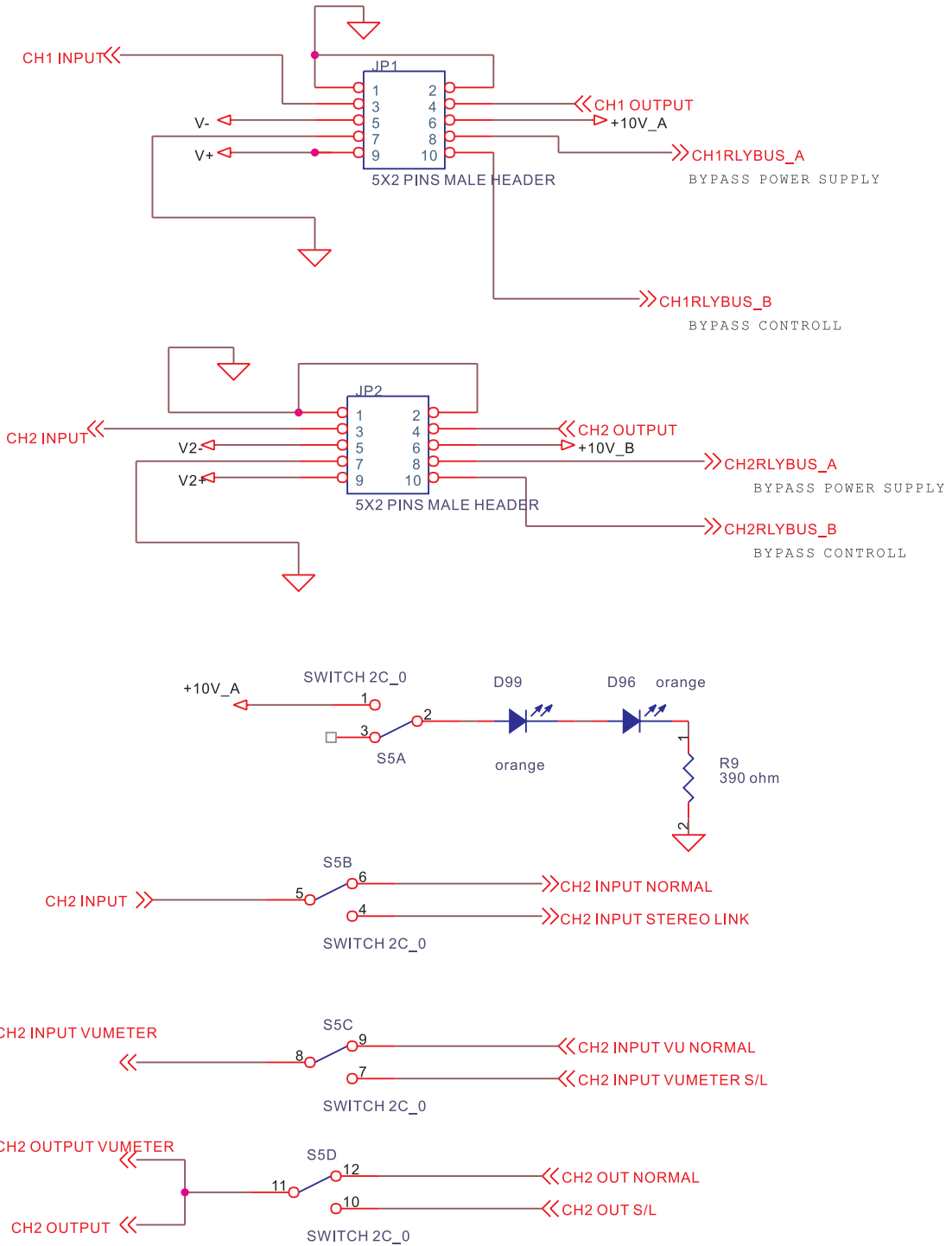
CH2 OUTPUT VUMETER



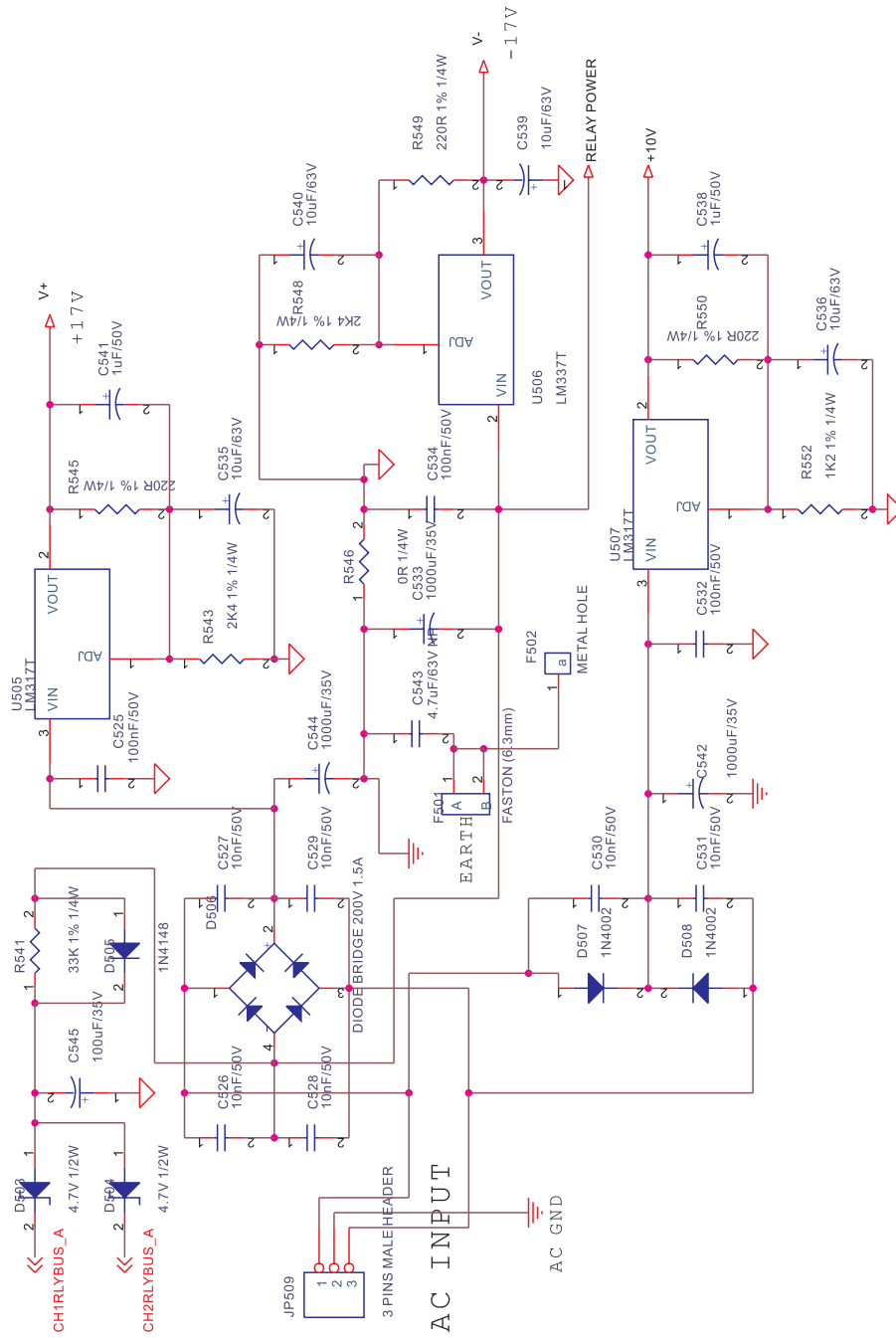
CH2 TUNE FREQ



CONNECTORS



POWER SUPPLY



MISCELLANEOUS ITEMS

Ref.	Phonic Part No.	Specifications	
POWER SW	210-02101-010-0	PSH/SW SDDL B10074U-PJ	
	211-12300-040-0	AC/S 0717-1-PS	
GND	212-10010-890-0	1P WAFER/P 100MM GRN	
	307-00000-000-0	CORD CONNECTOR HW-C4	
	321-00000-070-0	CABLE TIE HW-100MM	
AC/S & POWER SW	379-29180-191-0	M.WIRE UL1617 #18 180MM WHT	
	510-21220-010-0	PANEL A6100	
	511-20820-000-0	BACK PANEL A6100	
	516-20490-600-0	TOP COV. A6100	
	517-20690-000-0	BOT. COV. I SERIES	
	524-20011-010-0	L/R SIDE PANEL AL	
	525-60010-000-0	FEET 20*20*8.0MM (SF-006)	
POWER SW KONB	529-20032-000-0	LED ACRYLIC LENS 11.5*6*t3	
ALL VR*14	540-20420-020-0	R/KNOB 877C BODY+8423C LINE D:11.4	
POWER SW	542-20320-020-0	P/KNOB ABS BLK	
BYPASS*2,OUT/ IN*2,STEREO LINK*1	542-20340-040-0	P/KNOB ACRYLIC A6100	
IN*2,OUT*2	542-60240-020-0	P/KNOB 431C+WHT	
POWER SW BUSHING	543-20210-020-0	P/KNOB BUSH. BLK ABS	
	543-20220-020-0	P/KNOB BUSH. 7.12*6.2 BLK	
POWER SW BRAK.	551-20079-420-0	PUSH BRKT ABS I SERIES	
	552-20080-400-0	PCB FIXED SECC1.0	
FIX X'MER*2	552-90001-100-0	X'MER FIXED 20*8*2	
	560-21210-000-0	CARTON A6100	
	561-21400-000-0	G/B A6100	
	565-20060-000-0	RT/LF POLYLON 1U SERIES	
	568-00003-000-0	#10 240*340*0.05	
	568-20004-000-0	PE BAG 550*300*0.05	
	572-00000-050-0	DRYER 5g	
	573-10124-010-0	GND LABEL	
	573-60240-000-0	S/N LABEL PHONIC	
	573-60343-000-0	LABEL BLUE D=8mm	
	574-02360-110-0	OWN. MANJU. A6100 PHONIC	
	FIX PCB*7	590-02606-100-8	M/E FLT SCR. M2.6*6 NI D=4.5
		590-02606-200-8	M/E FLT SCR. M2.6*6 BLK D=4.5
590-04006-100-0		M/E FLT SCR. M4.0*6 NI	
FIX PCB*4 FIX POWER SW*2	590-33006-100-0	M/E RUD SCR. M3.0*6 NI	
FIX X'MER*2	590-33008-200-0	M/E RUD SCR. M3.0*8 BLK	
PCB&PCB*7	590-42606-100-0	M/E PAN SCR. M2.6*6 NI	

Ref.	Phonic Part No.	Specifications
	590-44008-200-0	M/E PAN SCR. M4.0*8 BLK
FIX XLR*8	591-03008-200-0	T/P FLT SCR. M3.0*8 BLK
NUT	600-00403-510-0	HEX. NUT M4.0*3.5 NI
GND	610-30400-501-0	TOOTH WAS. D4.0*D8.5*0.5 NI
	618-14180-662-0	SPEC. FIXED PIN SR-2 WHT

IN/OUT PCB-PART LIST

Ref.	Phonic Part No.	Specifications
R145.159	000-10226-400-0	CF RES. 1K J 0.25W T
R151.170	000-10326-400-0	CF RES. 10K J 0.25W T
R146.160	000-11226-400-0	CF RES. 1K1 J 0.25W T
R144.148.158.162	000-12226-400-0	CF RES. 1K2 J 0.25W T
R150.164	000-18126-400-0	CF RES. 180 J 0.25W T
R142.156	000-20226-400-0	CF RES. 2K J 0.25W T
R124.137.153.172	000-22126-400-0	CF RES. 220 J 0.25W T
R143.157	000-36226-400-0	CF RES. 3K6 J 0.25W T
R149.163	000-39126-400-0	CF RES. 390 J 0.25W T
R152.171	000-51126-400-0	CF RES. 510 J 0.25W T
R147.161	000-75126-400-0	CF RES. 750 J 0.25W T
R108.114.115	008-01012-600-0	CHIP RES. 100 J 0603
R120.130	008-01022-600-0	CHIP RES. 1K J 0603
R6.13.15.17.26.44.67.7 0.72.81.91.99.126.141	008-01032-600-0	CHIP RES. 10K J 0603
R8.11.138.167	008-01042-600-0	CHIP RES. 100K J 0603
R119.131	008-01122-600-0	CHIP RES. 1.1K J 0603
R110.121.129.133	008-01222-600-0	CHIP RES. 1.2K J 0603
R2.37.57.63.87.113	008-01522-600-0	CHIP RES. 1.5K J 0603
R86.135	008-01812-600-0	CHIP RES. 180 J 0603
R7.16.35.45.55.68.71. 92.103	008-01832-600-0	CHIP RES. 18K J 0603
R123.128	008-02022-600-0	CHIP RES. 2K J 0603
R14.27.32.41.52.61.82 .96.105	008-02232-600-0	CHIP RES. 22K J 0603
R21.76.95	008-02722-600-0	CHIP RES. 2K7 J 0603
R10.31.34.51.54.104	008-03332-600-0	CHIP RES. 33K J 0603
R122.127	008-03622-600-0	CHIP RES. 3.6K J 0603
	008-03912-600-0	CHIP RES. 390 J 0603
R33.53.102	008-04332-600-0	CHIP RES. 43K J 0603
R38.58.106	008-04702-600-0	CHIP RES. 47 J 0603
R3.5.19.36.39.40.42.59 .60.64.65.74.84.88.109. 112.139.155.168	008-04722-600-0	CHIP RES. 4.7K J 0603
R30.50.101	008-04732-600-0	CHIP RES. 47K J 0603
R125.136	008-05112-600-0	CHIP RES. 510 J 0603
R18.22.25.46.47.73.77 .80.98	008-06822-600-0	CHIP RES. 6K8 J 0603
R111.132	008-07512-600-0	CHIP RES. 750 J 0603
R20.43.75	008-07522-600-0	CHIP RES. 7.5K J 0603
R173.174.175.176	008-51022-400-0	CHIP RES. 51K F 0603

Ref.	Phonic Part No.	Specifications
R12.140.154.169	008-75012-400-0	CHIP RES. 7.5K F 0603
RB1.2.3	017-04080-103-6	NETWORK RES. 4*10K 1/8W DIP
VR48.56.62.66.69.79	022-50350-030-0	S.ROT/VR 50KB L=30MM
VR1.4.19.24.29.32.78	023-50350-040-0	D.ROT/VR 50KB 30MM P
VR23	025-50315-000-0	4.ROT/VR 50KB 30MM P
C7.26.28.54	030-10638-0A0-0	E/C 10MF Z 25V 5*11 T
C3.18.30.40.56.68	030-10668-0A0-0	E/C 10MF Z 63V 5*11 T
C1.2.4.8.16.21.22.25.3 3.34.37.38.39.41.49.55. 59.65.71.72.73	030-22658-0A0-0	E/C 22MF Z 50V 6*11 T
C29	030-47628-0A0-0	E/C 47MF Z 16V 5*11 T
C9.10.27	030-47638-0A0-0	E/C 47MF Z 25V 11*5 T
C70.74.75	039-10124-220-0	CHIP C/C 100PF J 50V 0603
C14.47.63	039-10424-220-0	CHIP C/C 0.1MF J 50V 0603
C11.13.44.46.51.60	039-22224-220-0	CHIP C/C 0.0022UF J 50V 0603
C17.23.24.35.36.50.52 .64.69	039-33024-220-0	CHIP C/C 33PF J 50V 0603
C12.15.45.48.61.62	039-33224-220-0	CHIP C/C 0.0033MF J 50V 0603
C19.20.31.32.66.67	039-39324-220-0	CHIP C/C 0.039MF J 50V 0603
C5.6.42.43.57.58	039-56304-220-8	CHIP C/C 0.056MF J 16V 0603
C901	058-47236-000-0	LINE/C 4700PF M 400V MURATA
D52.53.54.55.64.65.66 .67.77.78.79.80.82.83 .92.93	090-02000-020-0	DIODE 1N4148 T26MM MINI
D94.95.97.98.100.101. 102.103	100-00040-000-0	LED BL-B3141 YLW
D96.99	100-00050-000-0	LED BL-B2141 GRN
D601	100-00150-040-0	LED 2*4mm BL-RGE131 Green
D29.63.69.84	100-00410-000-0	LED BL-S5149 RED
	100-00440-000-0	LED BL-S3149 YLW
D22.23.24.25.26.56.57. 58.59.60.72.73.74.75.7 6.87.88.89.90.91	100-00450-000-0	LED BL-S2149 GREEN
Q1.2.3.4	121-00006-100-0	TRAN. MJE350 MOTOROLA
	160-00006-210-0	IC LM339 SOP (SMD)
U1.5-23.48	160-00024-100-0	IC NJM4580M DMP JRC
S1.2.4	210-02201-440-0	PSH/SW 2P2T SFPC12MC03-PF
S5.6	210-02402-030-0	PSH/SW SFPE14MA03-PJ
JP503	212-10024-000-0	2P WAFER/P 230MM
CN1.CN2	212-10100-370-0	10P WAFER/P 150MM
	290-02360-001-0	PCB A6100 FRONT
	615-20128-620-0	LED BAR. ABS BLK

BACK PCB-PART LIST

Ref.	Phonic Part No.	Specifications
VR601.701	020-47138-000-6	T/VR. 470 J 0.5W (T-085C-B470)
C533.542.544	030-10846-000-0	E/C 1000MF M 35V 10*21 T
C604.605.704.705	030-22748-000-0	E/C 220MF Z 35V 10*15 P
K501.502	076-02422-030-0	RELAY GS-SH-224T GOODSKY
D507.508	090-00002-001-0	DIODE 1N4002
D601.701	090-02000-020-0	DIODE 1N4148 T26MM MINI
D506	090-10000-000-0	B/DIODE PB154
U505.507	160-00002-000-0	IC LM317T NS
U506	160-00002-100-0	IC LM337T NS (DIP)
U501.502.503.504	160-00017-510-0	IC NJM4580L JRC
S501-S504	210-02201-390-0	PSH/SW SP70300-0202-11F1-N
J501.503.505.507	211-01602-550-0	6D3/J PJB0661-6
J504.508	211-03300-131-0	XLR/J 93M-108P/1
J502.506	211-03400-003-0	XLR/J 91M-107P2
JP501.502	211-09102-010-0	10P B.E./S 6502-10-G1-S-A
CN503	211-10021-161-0	2P WAFER/S TJC3-2A
	313-00000-060-0	RUBBER WASHER TO-2203
	314-00000-050-0	BUSHES 602S(V.O)
IC*3	526-20063-010-0	HEAT SINK 63*35*t3 I SERIES
FIX IC*3	590-83008-100-0	M/E RUD SCR (WASHER) M3*8 NI
IC*3	610-60300-501-0	PAN SPR. WAS D3.0*D5.3*0.5 NI
R546.619.620.719.720	000-00026-400-0	CF RES. 0 J 0.25W T
R599	000-39126-400-0	CF RES. 390 J 0.25W T
R612.712	006-10012-440-0	MF RES. 1K00 F 0.25W T
R502.504.523.524.602.605 .606.607.609.610.613.614. 615.617.618.621.622.623. 710.713	006-10022-440-0	MF RES. 10K F 0.25W T
R714.715.717.718.702.705. 706.707.709.721.722.723	006-10022-440-1	
R552	006-12012-440-0	MF RES. 1K2 F 0.25W T
R604.704	006-12022-440-0	MF RES. 12K F 0.25W T
R506.508.526.528	006-15022-440-0	MF RES. 15K F 0.25W T
R545.549.550	006-22002-440-0	MF RES. 220 F 0.25W T
R501.503.521.522	006-22012-440-0	MF RES. 2K2 F 0.25W T
R624.724	006-22022-440-0	MF RES. 22K F 0.25W T
R543.548.603.703	006-24012-440-0	MF RES. 2K4 F 0.25W T
R601.701	006-30012-440-0	MF RES. 3K00 F 0.25W T
R541	006-33022-440-0	MF RES. 33K F 0.25W T
R608.616.708.716	006-47072-440-0	MF RES. 47 F 0.25W T
R505.507.525.527	006-56022-440-6	MF RES. 56K F 0.25W T

Ref.	Phonic Part No.	Specifications
C538.541	030-10556-0A0-0	E/C 1MF M 50V 5*11 T
C501.502.512.513.535.536 .539.540	030-10668-0A0-0	E/C 10MF Z 63V 5*11 T
C545	030-10746-0A0-0	E/C 100MF M 35V T
C543	032-47566-0A0-0	NP E/C 4.7MF M 63V T
C526.527.528.529.530.531	042-10324-050-0	C/C2 0.01MF J 50V T
C525.532.534.606.706	042-10424-050-0	C/C2 0.1MF J 50V T
C602.603.702.703	042-15025-050-0	C/C2 15PF K 50V 5T
C504.505.516.517.601.701	042-47024-050-0	C/C2 47PF J 50V 5T
C503.514.515.524	042-47124-050-0	C/C2 470PF J 50V 5 T
D503.504	090-01472-020-0	ZEN/DIODE 4.7V J 0.5W T
D505	090-02000-020-0	DIODE 1N4148 T26MM MINI
Q601.701	121-00000-200-0	TRAN. 2SA1015 GR TOSHIBA
	290-02360-101-0	PCB A6100 (B) BACK

POWER REQUIREMENT CLASSIFICATION

Ref.	Phonic Part No.	Specifications
<u>SA</u>	070-60138-800-0	X'MER AC115/230V A6500
	280-25165-000-6	FUSE 250mA 250V SEMKO
	370-06010-321-6	P/CORD 10A/250V SA 2.5M 3P
<u>JIS</u>	070-60130-600-0	X'MER 100V JIS A6100/6200/6500
	280-5016B-000-0	FUSE 500MA 250V UL/CSA/JIS S
	370-16510-629-0	P/CORD 7A 125V 2P 6F JIS
<u>UL</u>	070-60138-800-0	X'MER AC115/230V A6500
	280-5016B-000-0	FUSE 500MA 250V UL/CSA/JIS S
	370-08010-721-0	P/CORD 120V 10A 6F 3PUL/CSA
<u>IEC</u>	070-60138-800-0	X'MER AC115/230V A6500
	280-25165-000-6	FUSE 250mA 250V SEMKO
	370-15010-921-0	P/CORD IEC 10A 6F 3P SVT
<u>BS</u>	070-60138-800-0	X'MER AC115/230V A6500
	280-25165-000-6	FUSE 250mA 250V SEMKO
	370-01010-921-0	P/CORD 240V 10A 6F 3P
	573-10032-010-0	POWER LABEL (ONLY USED IN BS)
<u>SAA</u>	070-60138-800-0	X'MER AC115/230V A6500
	280-25165-000-6	FUSE 250mA 250V SEMKO
	370-11010-821-0	P/CORD 240V 10A 6F 3P SAA SVT
	070-60132-100-0	X'MER 127V A6100/6200/6500
	280-5016B-000-0	FUSE 500MA 250V UL/CSA/JIS S
	370-08010-721-0	P/CORD 120V 10A 6F 3PUL/CSA

PHONIC
www.phonic.com