

## ZA100

Zone Public Address Amplifier with USB Player

## ZA100B

Zone Public Address Amplifier with USB Player and Battery Connector



## Features

- ▶ 100 Watt (RMS) of power at 4 ohms, 100V
- ▶ 3 microphone, 2 line input channels
- ▶ Microphone input via combo jacks
- ▶ Line 1 input offers stereo RCA and 1/4" TRS
- ▶ Line 2 input offers stereo RCA and mini-stereo
- ▶ Screw terminal speaker output connectors
- ▶ Built-in echo effect with volume control
- ▶ Stereo RCA tape in / line out connectors from USB flash drives
- ▶ Alert chimes and 'announce' tones built-in
- ▶ Battery connectivity for emergencies in power-outages
- ▶ 6-segment LED VU meter on output
- ▶ Front Panel System EQ with treble and bass controls
- ▶ Individual zone output select buttons
- ▶ Playback of MP3 or WAV audio files directly
- ▶ 1/4" TRS link inputs and outputs
- ▶ Removable rack ears included
- ▶ 2 standard rack units high
- ▶ 24V battery input and charging switch (ZA100B only)

## Description

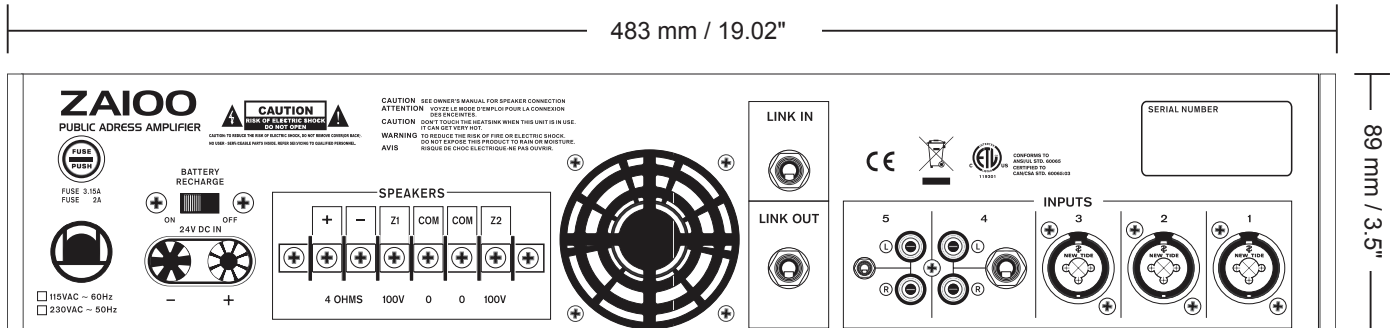
The ZA100 rack-mountable 3 zone public address amplifier offers users with an easy and convenient solution for public announcement, relay and other commercial applications. Input is achieved via three combo jacks for microphones plus two line-level input channels. Line input 1 accepts RCA and 1/4" connectors while line 2 accepts RCA and 1/8" mini-stereo jacks. Onboard USB playback allows users to play audio directly from USB flash drives, while built-in chime alert and announcement tones enable for quick and easy emergency talkback. A battery terminal allows the unit to be operational for emergency use even in the event of power loss. Offering 100 Watts split between three zones, the ZA100 is one of the most flexible yet powerful public address amplifiers available in today's commercial/installation pro audio market.

# ZA100/ZA100B

## Dimensions

## Professional Zone Public Address Amplifier with USB Player

ZA100 | ZA100B



## Specifications

	ZA100	ZA100B
Power Amplifier (Watts) RMS		
(at 4 Ohms) THD $\leq$ 0.5%		100W
(at 8 Ohms) THD $\leq$ 0.5%		60W
Frequency Response		50Hz – 18KHz
Speaker Outputs		
Low Impedance (8 $\Omega$ / 4 $\Omega$ )		European block (Screw type)
100V Matching output		Screw type (Two-zone)
Mic Input		3 x combo jacks
Line Input		2 x RCA pairs 1 x 1/4" TRS + 1 x mini Phone jack
Tape In		ST RCA w/ Volume control
Link in/ Link out		Yes (via 1/4" Phone jack)
USB Player		USB2.0 with LCD Display
File types compatible		.WAV / .MP3
Line Output		1 x Stereo RCA, Link out via 1/4" phone jack
Master Section		Volume with Bass and Treble control
Level Indicator		6 x LED
Alert Chime		One button
Announce		One button
Echo/Effect		Echo Level control
Speaker out selector		Zone 1 and Zone 2 buttons
24V battery input and charging switch	N/A	YES
Dimensions (W x H x D)	483x 89 x 290 mm (19.02" x 3.50" x 11.42")	
Weight	7.54 Kg (16.6 lbs)	